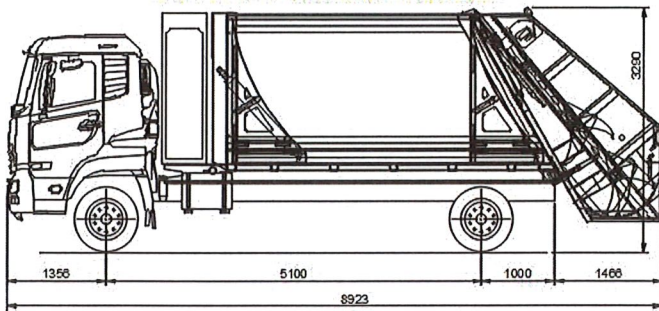
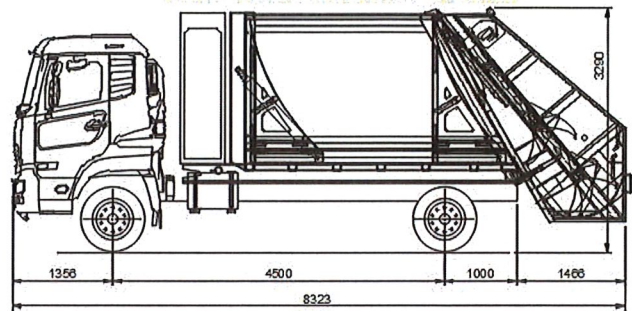


15m³ STT Rear End Loader Compactor



12m³ STT Rear End Loader Compactor



DIMENSIONS

O/A Length	8900mm
O/A Height	3300mm
O/A Width	2600mm

BODY CONSTRUCTION

SECTION	Material Type	Material Thickness
Roof	300WA	3mm
Side Walls	Supraform 550	3mm
Floor	AR200	5mm

EJECTOR PANEL CONSTRUCTION

SECTION	Material Type	Material Thickness
Upper Panel	AR200	3.5mm
Lower Panel	AR200	3.5mm
Ejector Track	RSC	100 x 50

HOPPER CONSTRUCTION

SECTION	Material Type	Material Thickness
Floor	AR200	5mm
Wall Upper	Supraform 550	3mm
Wall Lower	Supraform 550	3mm

Compaction Ratio	3 : 1
Operating Pressure	240 Bar / 2400 Psi