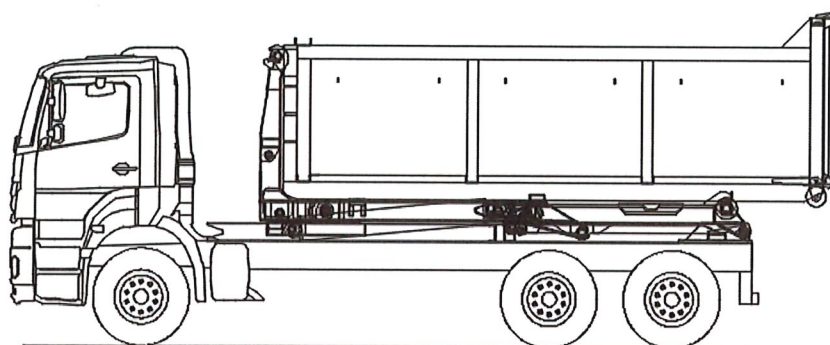


## 16 TON ROLON UNIT BROCHURE



### DIMENSIONS & WEIGHTS

|  |         |
|--|---------|
| Height From Ground (with 28m <sup>3</sup> Container) | 4000mm  |
| Width  | 2600mm  |
| Required CA Dimension                                | 4200mm  |
| Hook Height  | 1590mm  |
| Runner Width   | 1100mm  |
| Max Container Length                                 | 6500mm  |
| Unit Tare Weight                                     | 3390Kg  |
| Payload + Container                                  | 13500Kg |

### STANDARD EQUIPMENT

- Mechanical lifting hook safety latch
- Mechanical container locking system
- Pneumatic In-cab Control
- Fire Extinguisher & Holder
- Chock Blocks

### POPULAR OPTIONS

- Hazchem holders
- Spare Wheel Carrier
- Net Box