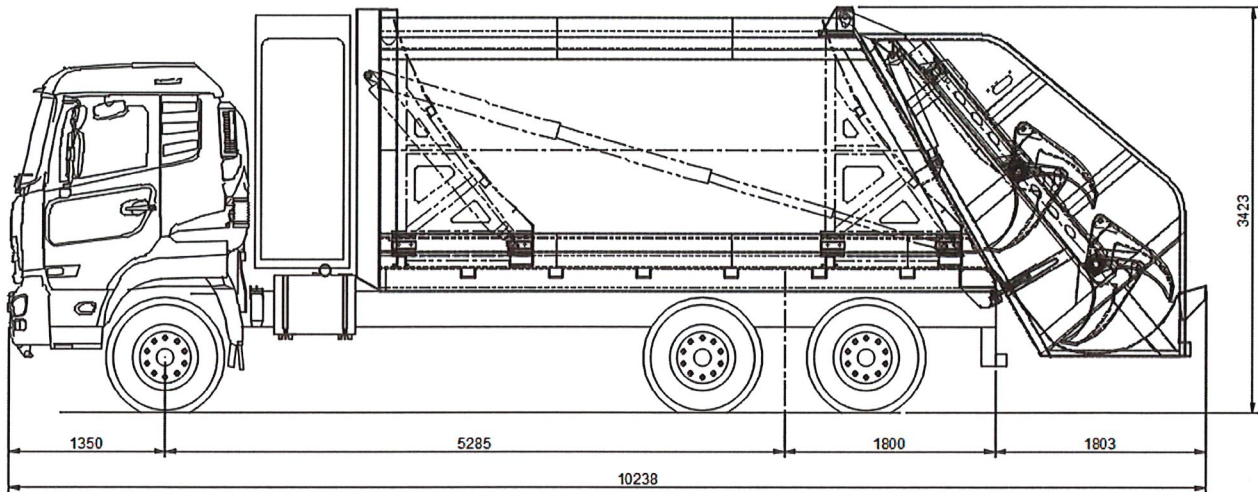


20m³ STT Rear End Loader Compactor



DIMENSIONS

O/A Length	10300mm
O/A Height	3500mm
O/A Width	2600mm

BODY CONSTRUCTION

SECTION	Material Type	Material Thickness
Roof	300WA	3mm
Side Walls	Supraform 550	3 & 4mm
Floor	AR200	5mm

EJECTOR PANEL CONSTRUCTION

SECTION	Material Type	Material Thickness
Upper Panel	AR200	3.5mm
Lower Panel	AR200	3.5mm
Ejector Track	RSC	100 x 50

HOPPER CONSTRUCTION

SECTION	Material Type	Material Thickness
Floor	AR200	5mm
Wall Upper	Supraform 550	3mm
Wall Lower	Supraform 550	3mm