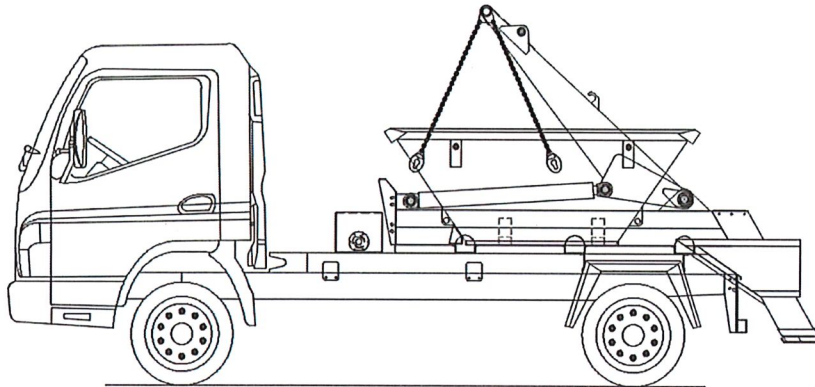


## 4 Ton Mini Skip

Email: [sales@skiptrucktraders.co.za](mailto:sales@skiptrucktraders.co.za)



### DIMENSIONS & WEIGHTS

OPTION	4 Ton Mini Skip Unit
Height From Ground	2900mm
Width	1650mm
Required CA Dimension	2400mm
Tare Weight	900Kg

### BODY CONSTRUCTION

OPTION	4 Ton Mini Skip Unit
Side Beams	3mm Supraform SS550
Deck	4.5mm Mild Steel
Floor Cross Members	3mm Supraform SS550
Outrigger	3mm Supraform SS550
Arm Configuration	Standard

### HYDRAULIC REQUIRMENTS

OPTION	4 Ton Mini Skip Unit
Hydraulic Pump Rating	25 MPa
PTO Required Torque	250 Nm
Required Flow Rate	60 L/min
Pump RPM	1200
Main Relief Pressure	14 MPa
Hydraulic Tank Capacity	40L

### STANDARD EQUIPMENT

Fire Extinguisher & Holder, Chock Blocks

### POPULAR OPTIONS

Net Box, Spare Wheel Carrier, Hazchem Holders, Access Ladder, In-cab Controls, Night Working Lights, Extended Cab Guard