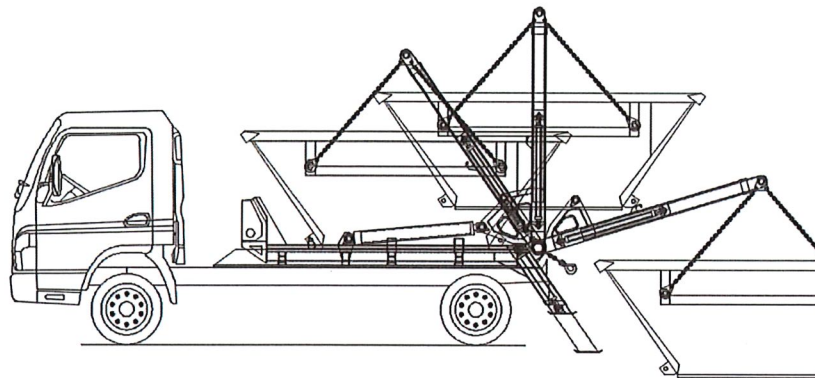


5 Ton Mini Skip

Email: sales@skiptrucktraders.co.za



DIMENSIONS & WEIGHTS

OPTION	5 Ton Mini Skip Unit
Height From Ground	3300mm
Width	2400mm
Required CA Dimension	3000mm
Tare Weight	1500Kg

BODY CONSTRUCTION

OPTION	5 Ton Mini Skip Unit
Side Beams	3mm Supraform SS550
Deck	3mm Mild Steel (bolted)
Floor Cross Members	3mm Supraform SS550
Outrigger	4mm Supraform SS550
Arm Configuration	Standard or Extending

HYDRAULIC REQUIRMENTS

OPTION	5 Ton Mini Skip Unit
Hydraulic Pump Rating	25 MPa
PTO Required Torque	250 Nm
Required Flow Rate	60 L/min
Pump RPM	1000
Main Relief Pressure	20 MPa
Hydraulic Tank Capacity	40L

STANDARD EQUIPMENT

Fire Extinguisher & Holder, Chock Blocks

POPULAR OPTIONS

Net Box, Spare Wheel Carrier, Hazchem Holders, Access Ladder, In-cab Controls, Night Working Lights, Extended Cab Guard