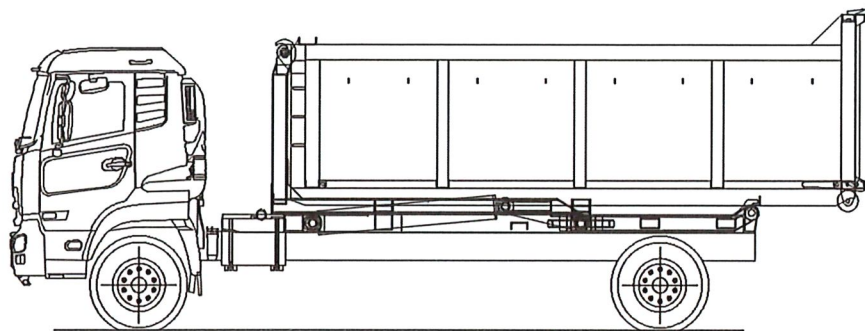


## 9 TON ROLON UNIT BROCHURE



### DIMENSIONS & WEIGHTS

Height From Ground (with 28m <sup>3</sup> Container)	4000mm
Width	2600mm
Required CA Dimension	4700mm
Hook Height	1590mm
Runner Width	1100mm
Max Container Length	6500mm
Unit Tare Weight	2240Kg
Payload + Container	6500Kg

### STANDARD EQUIPMENT

- Mechanical lifting hook safety latch
- Mechanical container locking system
- Pneumatic In-cab Control
- Fire Extinguisher & Holder
- Chock Blocks

### POPULAR OPTIONS

- Hazchem holders
- Spare Wheel Carrier
- Net Box