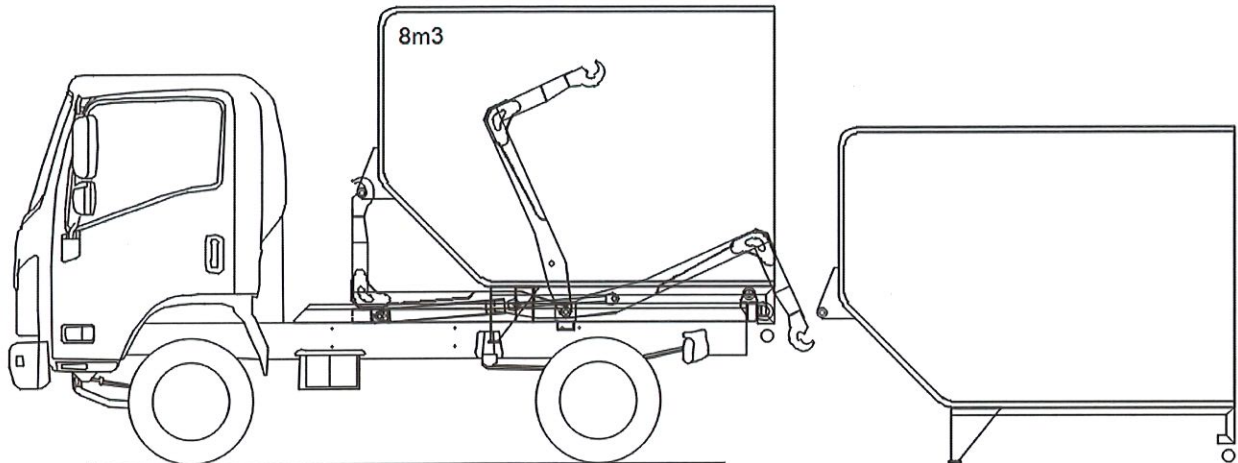


1 Ton Rolon Unit

Email: sales@skiptrucktraders.co.za



DIMENSIONS & WEIGHTS

| OPTION | 1 Ton Rolon Unit |
|-----------------------|------------------|
| Height From Ground | 2800mm |
| Width | 2140mm |
| Required CA Dimension | 1900mm |
| Tare Weight | 400Kg |

BODY CONSTRUCTION

| OPTION | 1 Ton Rolon Unit |
|------------|-------------------|
| Sub Frame | 3mm Supraform 700 |
| Hook Frame | 4mm Supraform 700 |
| Lift Hook | 25mm Roqtuf Plate |

HYDRAULIC REQUIRMENTS

| OPTION | 1 Ton Rolon Unit |
|-------------------------|------------------|
| Hydraulic Pump Rating | 25 MPa |
| PTO Required Torque | 250 Nm |
| Required Flow Rate | 16 L/min |
| Pump RPM | 1000 |
| Main Relief Pressure | 20 MPa |
| Hydraulic Tank Capacity | 20L |

STANDARD EQUIPMENT

Fire Extinguisher & Holder, Chock Blocks

POPULAR OPTIONS

Net Box, Spare Wheel Carrier, Hazchem Holders, Access Ladder, In-cab Controls, Night Working Lights