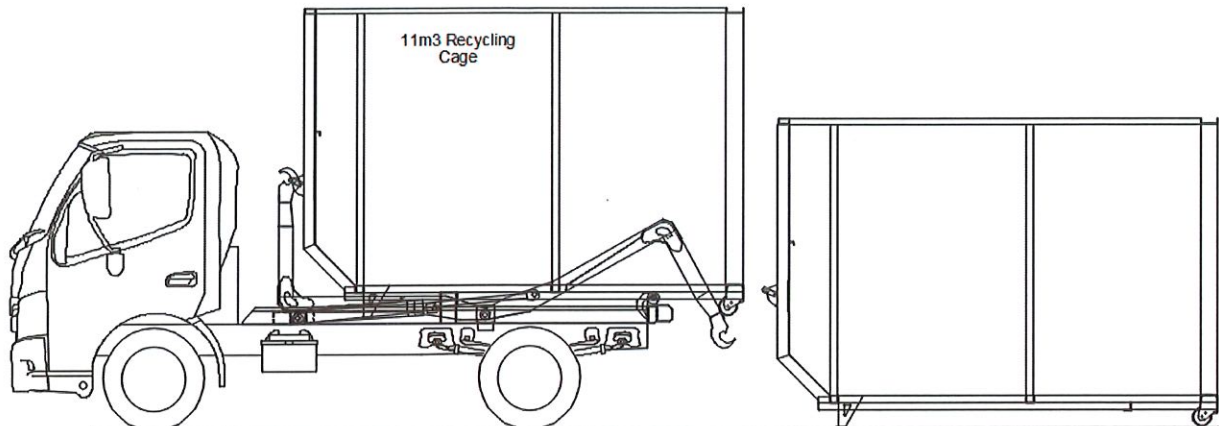


2 Ton Rolon Unit

Email: sales@skiptrucktraders.co.za



DIMENSIONS & WEIGHTS

OPTION	2 Ton Rolon Unit
Height From Ground	2850mm
Width	2200mm
Required CA Dimension	1900mm
Tare Weight	500Kg

BODY CONSTRUCTION

OPTION	2 Ton Rolon Unit
Sub Frame	3mm Supraform 700
Hook Frame	6mm Supraform 700
Lift Hook	25mm Roqtuf Plate

HYDRAULIC REQUIRMENTS

OPTION	2 Ton Rolon Unit
Hydraulic Pump Rating	25 MPa
PTO Required Torque	250 Nm
Required Flow Rate	16 L/min
Pump RPM	1000
Main Relief Pressure	20 MPa
Hydraulic Tank Capacity	20L

STANDARD EQUIPMENT

Fire Extinguisher & Holder, Chock Blocks

POPULAR OPTIONS

Net Box, Spare Wheel Carrier, Hazchem Holders, Access Ladder, In-cab Controls, Night Working Lights