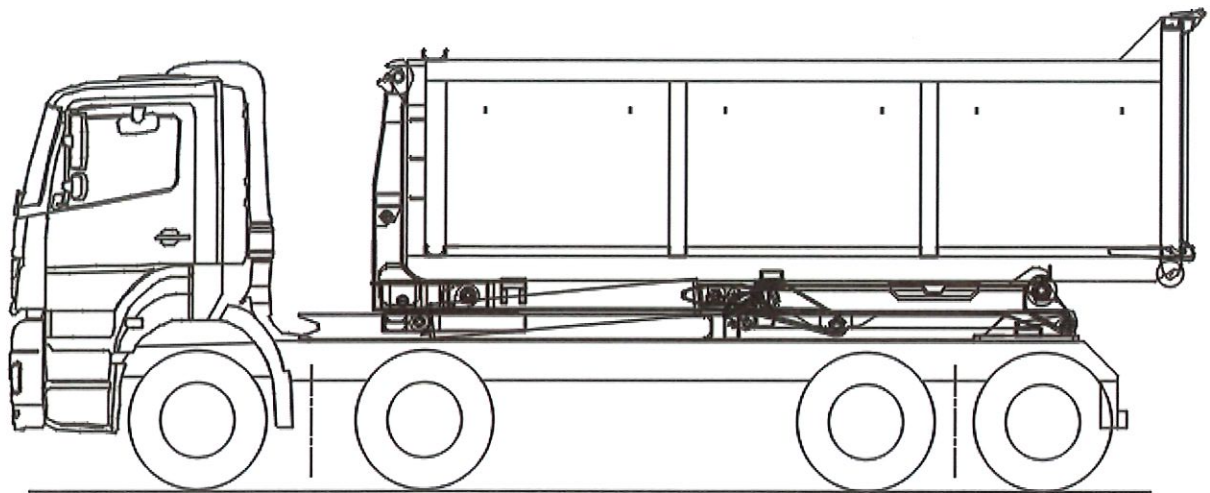


25 TON ROLON UNIT BROCHURE



DIMENSIONS & WEIGHTS

| | |
|--|---------|
| Height From Ground (with 28m ³ Container) | 4000mm |
| Width | 2600mm |
| Required CA Dimension | 5100mm |
| Hook Height | 1590mm |
| Runner Width | 1100mm |
| Max Container Length | 6500mm |
| Unit Tare Weight | 4000Kg |
| Payload + Container | 18000Kg |

STANDARD EQUIPMENT

- Mechanical lifting hook safety latch
- Mechanical container locking system
- Pneumatic In-cab Control
- Fire Extinguisher & Holder
- Chock Blocks

POPULAR OPTIONS

- Hazchem holders
- Spare Wheel Carrier
- Net Box