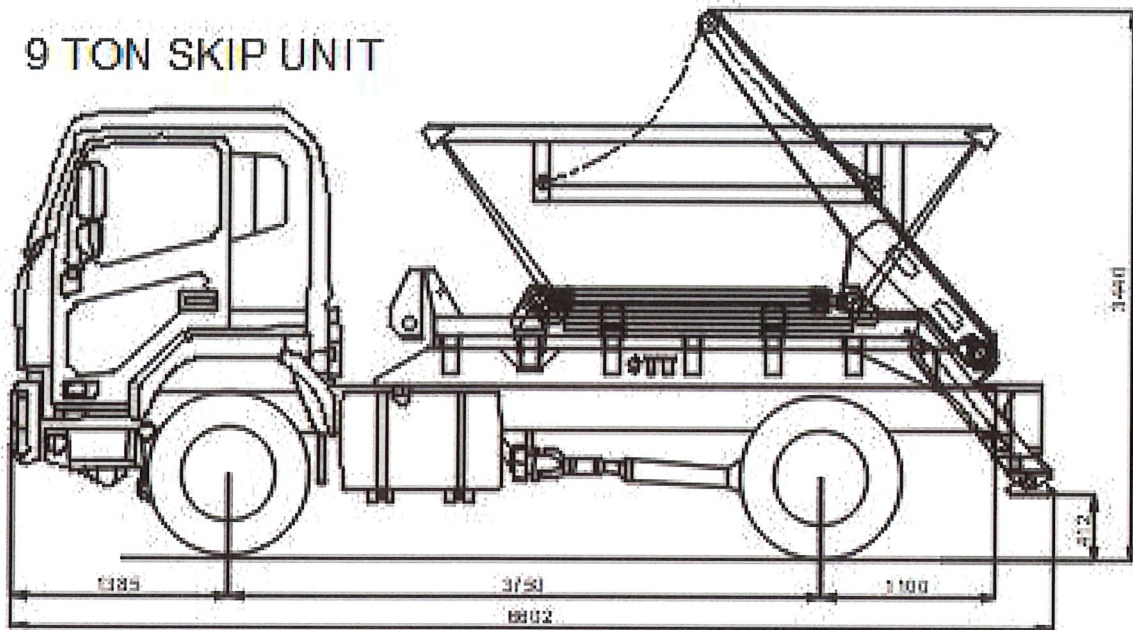


9 TON SKIP UNIT



DIMENSIONS & WEIGHTS

OPTION	9 Ton Skip Unit
Height From Ground	3500mm
Width	2600mm
Required CA Dimension	2900mm
Tare Weight	2000Kg

BODY CONSTRUCTION

OPTION	9 Ton Skip Unit
Side Beams	4mm Supraform 700
Deck	4.5mm Mild Steel
Floor Cross Members	4.5mm Mild Steel
Outrigger	4mm Supraform
Arm Configuration	Standard

HYDRAULIC REQUIRMENTS

OPTION	9 Ton Skip Unit
Hydraulic Pump Rating	20 MPa
PTO Required Torque	190 Nm
Required Flow Rate	60 – 80 L/min
Pump RPM	1200
Main Relief Pressure	19 MPa
Hydraulic Tank Capacity	70L

STANDARD EQUIPMENT

Toolbox, Spare Wheel Carrier, Fire Extinguisher Holder

POPULAR OPTIONS

Hazchem Holders, Access Ladder, In-cab Controls, Night Working Lights, Extended Cab Guard